

Preliminary specifications

SMART Board® interactive whiteboard

Model SBM685

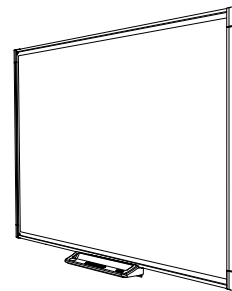
IMPORTANT

This preliminary specification sheet is for informational purposes only and should not be construed as a commitment by SMART Technologies. SMART assumes no responsibility or liability for any errors or inaccuracies that may appear in this specification sheet. Contents are subject to change without notice.

Overview

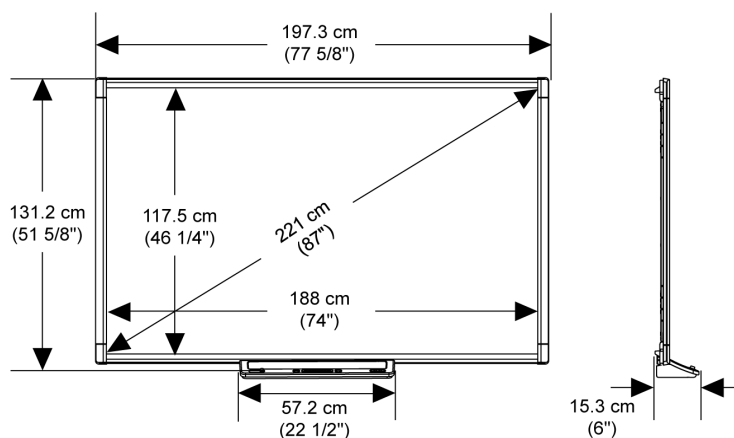
Your SMART Board® M685 interactive whiteboard features a durable interactive surface, two damage-resistant pens and SMART's proprietary DVIT® (Digital Vision Touch) technology. The SBM685 model supports dual touch, dual write and intuitive gestures, such as toss, rotate and zoom, available with multitouch operating systems, such as Windows® 7 or Mac Snow Leopard.

See smartechnology.com for more information on this product.



Dimensions and weights¹

Dimensions



Weight

23.1 kg (51 lb.)

Shipping dimensions

TBD

Shipping weight

TBD

¹All dimensions ± 1/8" (0.3 cm). All weights ± 2 lb. (0.9 kg).

PRELIMINARY SPECIFICATIONS

SMART Board® interactive whiteboard – Model SBM685

Standard features

Software

You can install SMART Product Drivers and SMART Notebook™ collaborative learning software from the included DVD or from smarttech.com/downloads. Software upgrades are available from smarttech.com/software.

Computer requirements

A computer or laptop with a Windows operating system or Mac operating system software and SMART Notebook software installed. For a complete list of computer requirements, go to smarttech.com/downloads and browse to the latest SMART Notebook release notes applicable to your operating system.

NOTE

A digital projector isn't included with this model of SMART Board interactive whiteboard. To take advantage of all interactive features, you must integrate a digital projector.

Touch and gestures

Enables you to write, to erase and to perform mouse functions by touching the interactive whiteboard with your finger or a pen. This interactive whiteboard also features gesture capability, providing a natural and flexible way to interact with content.

Multitouch capabilities

Support for two simultaneous touches enables up to two users to interact with the interactive whiteboard using the included pens or other objects, or by using their fingers to write and to perform gestures.

SMART Ink™

Smooths out the appearance of the digital ink, improving the legibility of your handwriting. The ink becomes an object you can move and manipulate.

Pen tray

The pen tray connects to the interactive whiteboard. Use the color select buttons to change digital ink colors. The on-screen keyboard, the right-click and the orient features are also accessible with pen tray buttons.

Pen

Includes two pens

Screen surface

The hard-coated steel surface is durable, optimized for projection and is compatible with dry-erase markers.

Digitizing technology

Four-camera DVIT

Frame finish

White and light gray (approximates PANTONE® Cool Gray 4C)

Power requirements

1.8 m (6') power cable. Power consumption is less than 7 W (100V to 240V AC, 50/60 Hz, 5V DC 2.0A).

Computer connection

Includes a 5 m (16') USB 2.0 cable to connect to the room computer.

Your SMART Board M685 interactive whiteboard supports one computer connection on a primary display only.

Temperature specifications

Storage

-20°C to 50°C (-4°F to 122°F)

Operation

5°C to 35°C (41°F to 95°F) with up to 80% humidity, non-condensing

Certification and compliance

Regulatory certification	CSA (U.S./Canada)
---------------------------------	-------------------

Environmental compliance	
China	EIP
European Union	REACH, RoHS, WEEE, Packaging and ErP Standby
U.S.	Packaging and Conflict Minerals

Purchasing information

Order numbers	
SBM685	221 cm (87") diagonal SMART Board M685 interactive whiteboard with an active pen tray. Includes a SMART Notebook software installation DVD.
SBM685-B	Bulk order of 10 SBM685 units
Optional accessories	See smarttech.com/accessories
Warranty	Two-year limited equipment warranty

smarttech.com/support
smarttech.com/contactsupport

© 2013 SMART Technologies ULC. All rights reserved. SMART Board, DVIT, SMART Notebook, SMART Ink, smarttech, the SMART logo and all SMART taglines are trademarks or registered trademarks of SMART Technologies ULC in the U.S. and/or other countries. All third-party product and company names may be trademarks of their respective owners. This product and/or use thereof covered by one or more of the following U.S. patents. www.smarttech.com/patents. Contents are subject to change without notice. 07/2013.